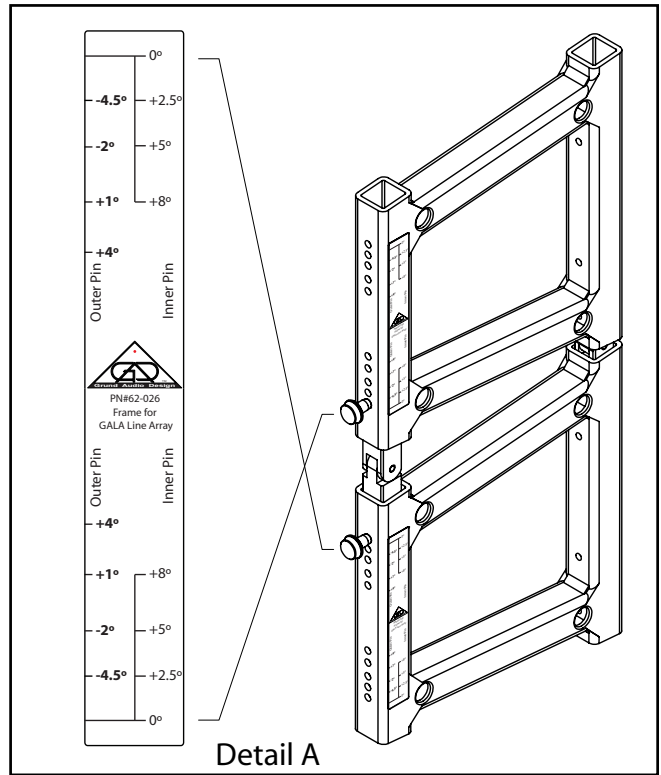


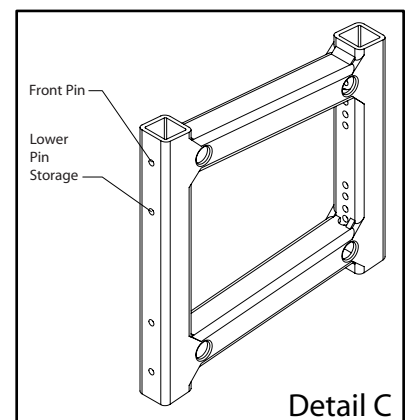
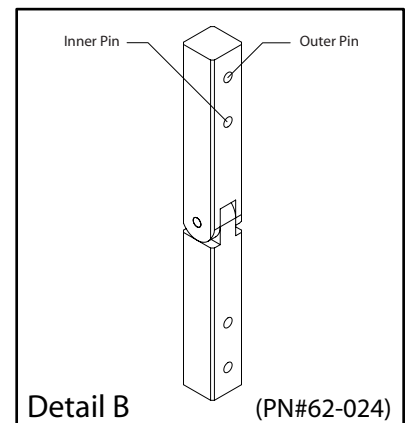
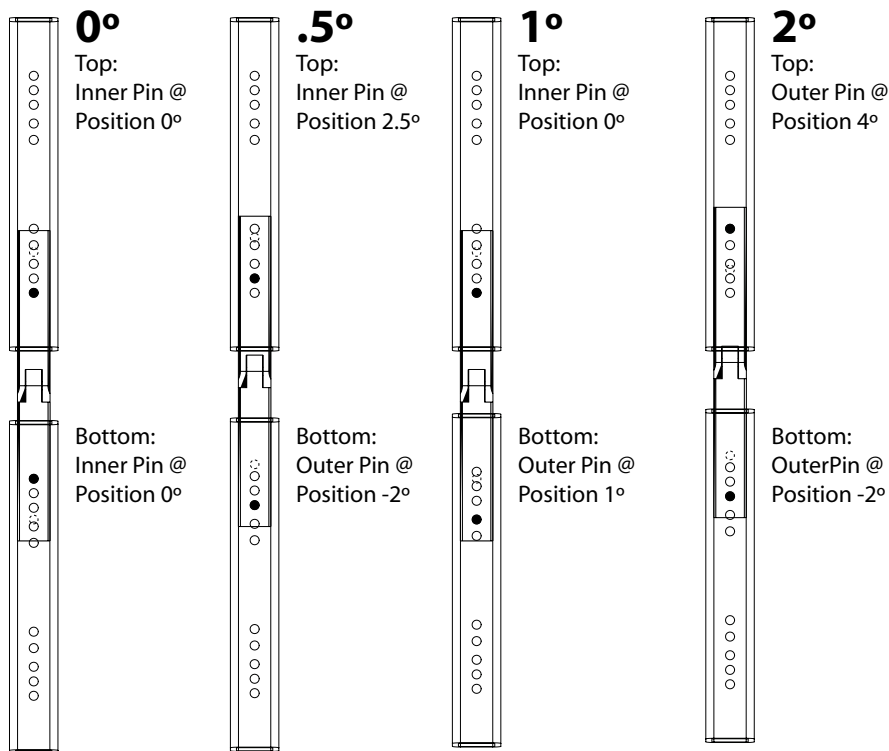
Grund Audio Line Array (GALA) Instructions

For Part Number: 62-026

- I. For ease of use, start with both inner pins in their 0° positions shown in Details A & B.
- II. Each number refers to the angle achieved moving from the 0° position. See Appendix Below
- III. Attach front pin as shown in Detail C.
- IV. Pin storage shown in Detail C is for storing adjacent pins during transportation.



Appendix



62-026 Instructions



GRUND AUDIO DESIGN

Appendix Cont.

